

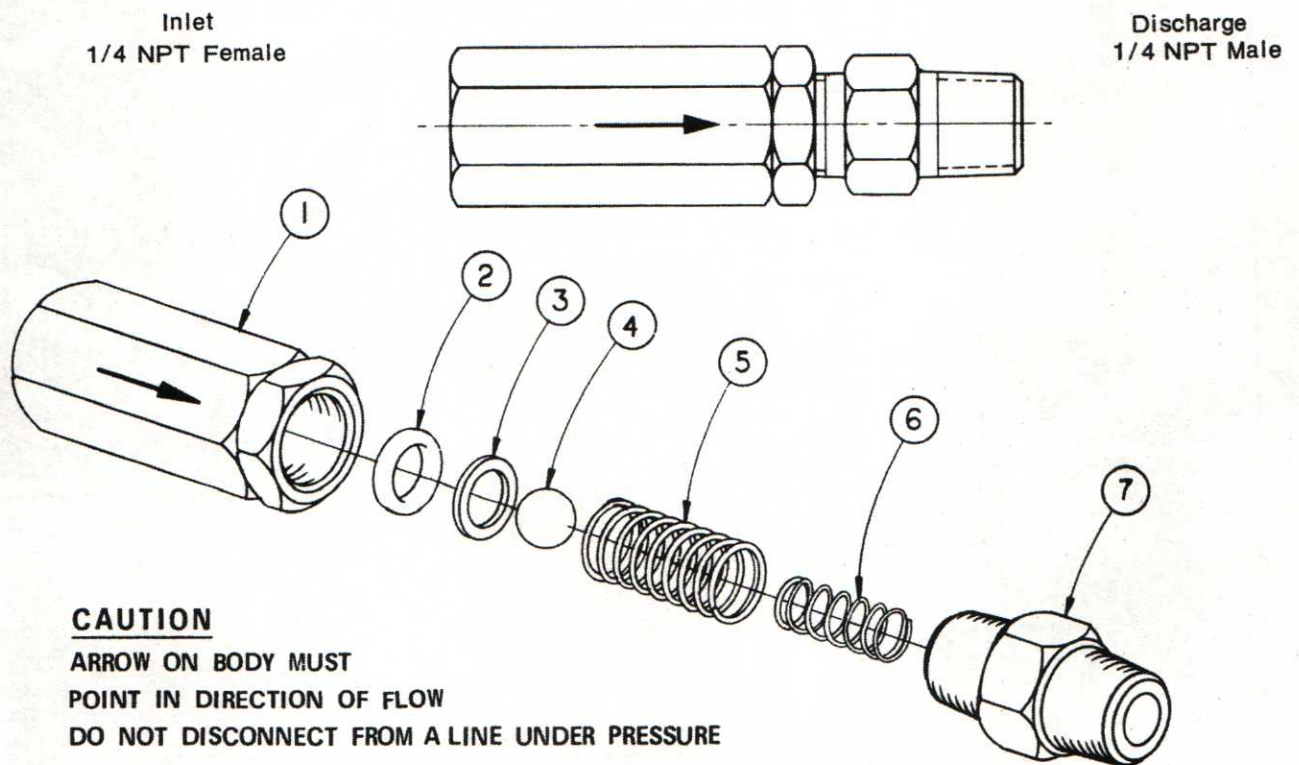
# LINE CHECKS FOR



PART NUMBER D461

ALL STAINLESS STEEL  
WITH TEFLON\* SEAT

\* 12000 PSIG MAX WORKING PRESSURE  
\* 25 TO 75 PSI CRACKING PRESSURE



## CAUTION

ARROW ON BODY MUST  
POINT IN DIRECTION OF FLOW  
DO NOT DISCONNECT FROM A LINE UNDER PRESSURE

## PARTS LIST

ITEM	P/N	DESCRIPTION	ITEM	P/N	DESCRIPTION
1	D461B	Body	5	D461S	Spring
2	M170-55T	O-Ring, Teflon*	6	D18-1Y	Spring
3	D461R	Ring	7	D461A	Nipple
4	D17-5Y	Ball, 5/16			

\* Teflon is trademark of E. I. Dupont de Nemours & Co.

\* 12000 PSI = 82740 Kilopascals

\* 25 to 75 PSI = 172 to 517 Kilopascals

SEE YOUR NEAREST DISTRIBUTOR OR CONTACT:

**WESTERN CHEMICAL PUMPS - 603 SOUTH KANSAS AVE. - OLATHE, KANSAS 66061-4524**

Telephone: (913) 829-1888